

# LUMINAIRE



- /// RECESSED LUMINAIRE
- /// SURFACE MOUNTED LUMINAIRE
- /// WEATHERPROOF IP65 LUMINAIRE
- /// DOWNLIGHT LUMINAIRE
- /// FLUTING LUMINAIRE
- /// POLE TOP LUMINAIRE

# RECESSED LUMINAIRE

## RTPL MODUL 600, 4-18W, T8/T26, CCG



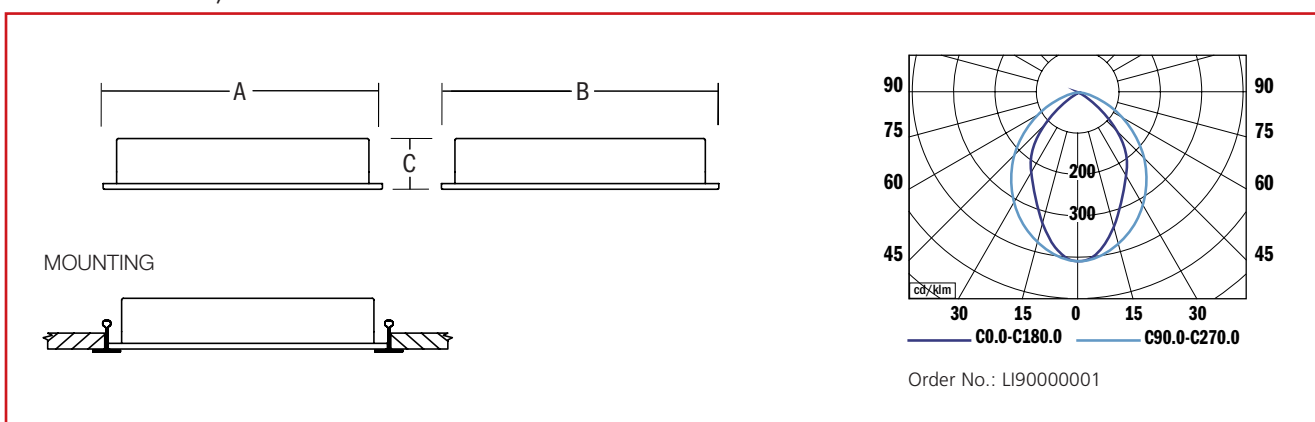
LI90000001



### SCHRACK-INFO

- Recessed luminaire with aluminium louvre suitable for mouting into T-bar ceiling grids
- Housing: white prepainted steel, 0.5 mm thickness
- Louvre: Polished aluminium louvre with matt tree profile cross blades
- Electrical components:  
Conventional control gear: Tridonic. ATCO, class EEI = B2  
Capacitor: Electronicon  
Lampholders: AAG Stucchi, Ptot = 88W
- Wiring: Solid copper internal conductors, PVC insulated (heat resistant up to 90°C) with 0.5 mm<sup>2</sup> cross-section, three pole terminal allows to connect conductors up to 2.5 mm<sup>2</sup> cross-section

### DIMENSIONS, MOUNTING AND PHOTOMETRIE



## RTPL MODUL 600, 4-18W, T8/T26, CCG

DESCRIPTION	DIM. (AxBxC) mm	ORDER NO.
RTPL MODUL 600, 4-18W, T8/T26, CCG	595x595x72	LI90000001

### LAMPS

DESCRIPTION					ORDER NO.
T26 18W/865 G13	590 mm	OSRAM	L 18W/865 FLH1		LI5W517773
T26 18W/840 G13	590 mm	OSRAM	L 18W/840 FLH1		LI5W517797
T26 18W/830 G13	590 mm	OSRAM	L 18W/830 FLH1		LI5W517810
T26 18W/827 G13	590 mm	OSRAM	L 18W/827 FLH1		LI5W517834
T26 18W/640 G13	590 mm	OSRAM	L18W/640 G13		LI5W001647

## ■ RHGL MODUL 600, 4-18W, T8/T26, ECG/CCG



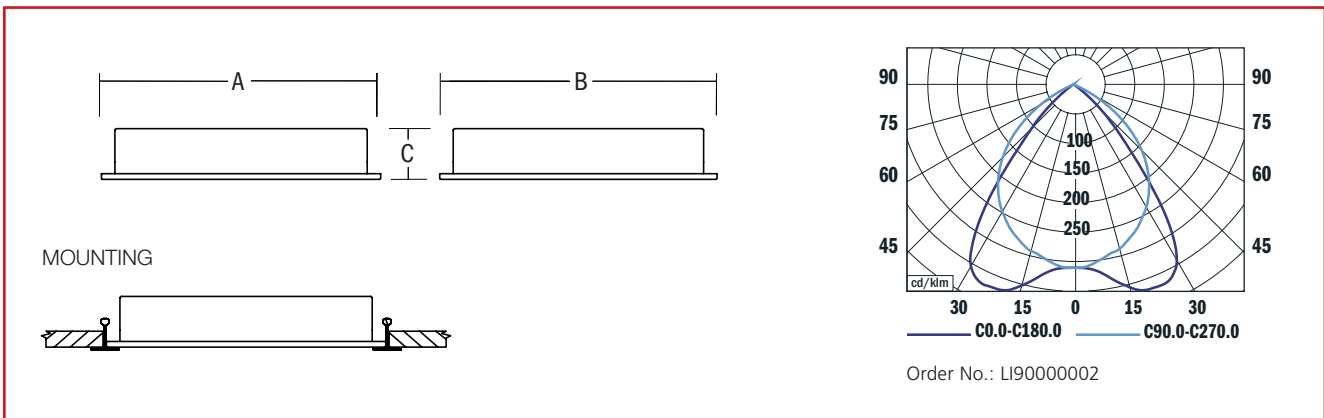
LI90000002



### ■ SCHRACK-INFO

- Recessed luminaire with parabolic louvre suitable for mouting into T-bar ceiling grids
- Housing: white prepainted steel, 0.5 mm thickness, electrostatic powder coat finish – basic shade RAL 9003
- Louvre: Double parabolic louvre CAT2 louvre ( $L65 < 1000 \text{ cd/m}^2$ )
- Electrical components:  
Conventional control gear: Tridonic. ATCO, class EEI = B2  
Capacitor: Electronicon  
Lampholders: AAG Stucchi, Ptot = 88W
- Wiring: Solid copper internal conductors, PVC insulated (heat resistant up to 90°C) with 0.5 mm<sup>2</sup> cross-section, three pole terminal allows to connect conductors up to 2.5 mm<sup>2</sup> cross-section

### ■ DIMENSIONS, MOUNTING AND PHOTOMETRIE



## ■ RHGL MODUL 600, 4-18W, T8/T26, ECG/CCG

DESCRIPTION	DIM. (AxBxC) mm	ORDER NO.
RHGL MODUL 600, 4-18W, T8/T26, CCG	595x595x92	LI90000002
RHGL MODUL 600, 4-18W, T8/T26, ECG	595x595x92	LI90000003

### ■ LAMPS

DESCRIPTION	ORDER NO.
T26 18W/865 G13      590 mm    OSRAM      L 18W/865 FLH1	LI5W517773
T26 18W/840 G13      590 mm    OSRAM      L 18W/840 FLH1	LI5W517797
T26 18W/830 G13      590 mm    OSRAM      L 18W/830 FLH1	LI5W517810
T26 18W/827 G13      590 mm    OSRAM      L 18W/827 FLH1	LI5W517834
T26 18W/640 G13      590 mm    OSRAM      L18W/640 G13	LI5W001647

## RHLW MODUL 600, 4-14W, T5/T16, ECG



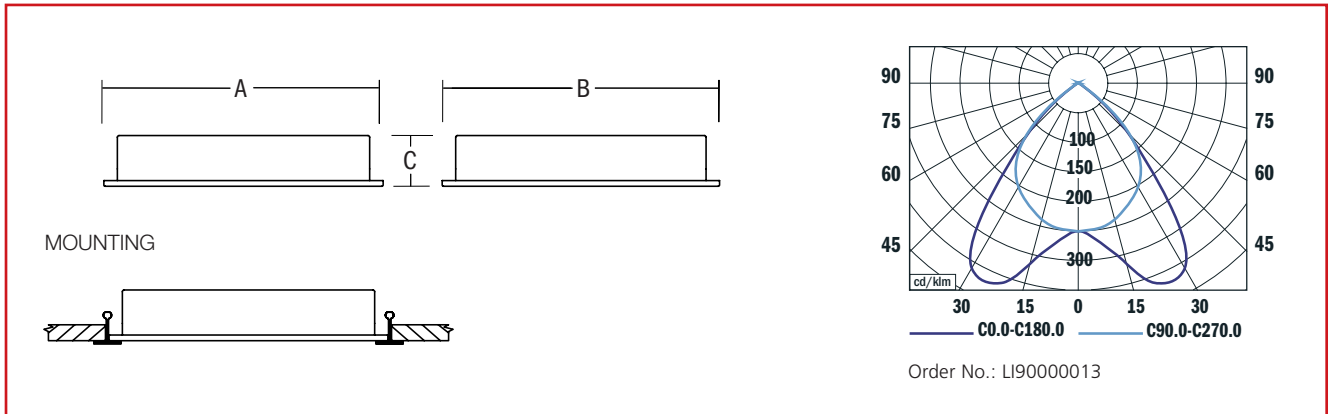
LI90000013



### SCHRACK-INFO

- Recessed luminaire with parabolic louvre suitable for mounting into T-bar ceiling grids and into plasterboard ceilings
- Housing: made of sheet steel of the thickness 0.6 mm, electrostatic powder coat finish – basic shade RAL 9003
- Louvre: Double parabolic louvre CAT2 louvre ( $L65 < 1000 \text{ cd/m}^2$ )
- Electrical components:  
Electronic control gear: Helvar, class EEI = A2  
Lampholders: AAG Stucchi, Ptot = 60W
- Wiring: Solid copper internal conductors, PVC insulated (heat resistant up to 90°C) with 0.5 mm<sup>2</sup> cross-section, three pole terminal allows to connect conductors up to 2.5 mm<sup>2</sup> cross-section

### DIMENSIONS, MOUNTING AND PHOTOMETRIE



### RHLW MODUL 600, 4-14W, T5/T16, ECG

DESCRIPTION	DIM. (AxBxC) mm	ORDER NO.
RHLW MODUL 600, 4-14W, T5/T16, ECG	595x595x62	LI90000013

### LAMPS

DESCRIPTION	ORDER NO.
T16 14W/830 G5 UNV1      549mm      OSRAM      FH 14W/830 HE UNV1	LI5W464824
T16 14W/840 G5 UNV1      549mm      OSRAM      FH 14W/840 HE UNV1	LI5W464688
T16 14W/865 G5 UNV1      549mm      OSRAM      FH 14W/865 HE UNV1	LI5W464848
T16 14W/827 G5 UNV1      549mm      OSRAM      FH 14W/827 HE UNV1	LI5W645933

## RHLN MODUL 600, 4-14W, T5/T16, ECG



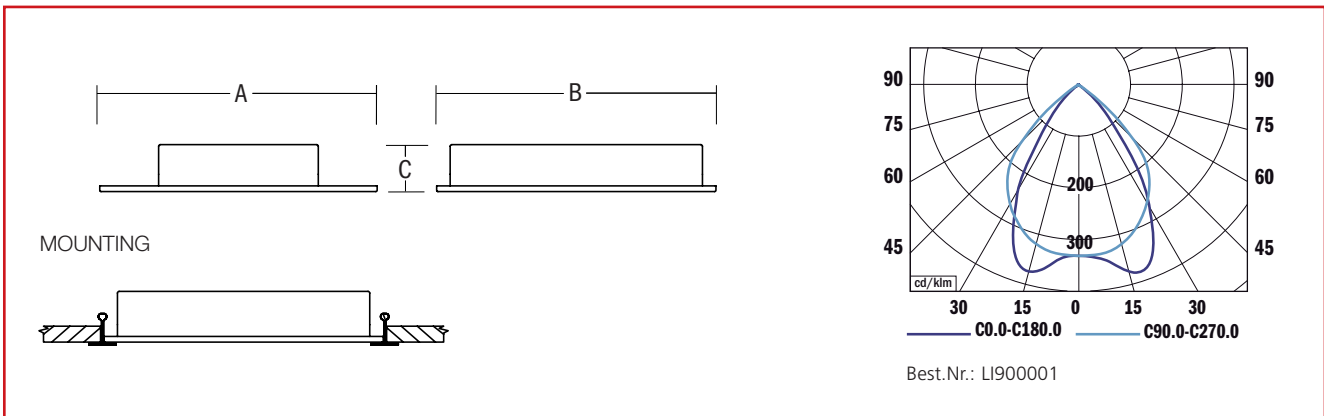
LI90000014



### SCHRACK-INFO

- Recessed luminaire with parabolic louvre suitable for mouting into T-bar ceiling grids
- Housing: made of sheet steel of the thickness 0.6 mm, electrostatic powder coat finish – basic shade RAL 9003
- Louvre: Double parabolic louvre CAT2 louvre ( $L65 < 1000 \text{ cd/m}^2$ )
- Electrical components:  
Electronic control gear: Helvar, class EEI = A2  
Lampholders: AAG Stucchi, Ptot = 60W
- Wiring: Solid copper internal conductors, PVC insulated (heat resistant up to 90°C) with 0.5 mm<sup>2</sup> cross-section, three pole terminal allows to connect conductors up to 2.5 mm<sup>2</sup> cross-section

### DIMENSIONS, MOUNTING AND PHOTOMETRIE



## RHLN MODUL 600, 4-14W, T5/T16, ECG

DESCRIPTION	DIM. (AxBxC) mm	ORDER NO.
RHLN MODUL 600, 4-14W, T5/T16, ECG	595x595x64	LI90000014
RHLN MODUL 600, 4-24W, T5/T16, ECG	595x595x64	LI90000015
RHLN MODUL 600, 2-28W, T5/T16, ECG	295x1195x64	LI90000016

### LAMPS

DESCRIPTION	ORDER NO.
T16 14W/830 G5 UNV1 549mm OSRAM FH 14W/830 HE UNV1	LI5W464824
T16 14W/840 G5 UNV1 549mm OSRAM FH 14W/840 HE UNV1	LI5W464688
T16 14W/865 G5 UNV1 549mm OSRAM FH 14W/865 HE UNV1	LI5W464848
T16 14W/827 G5 UNV1 549mm OSRAM FH 14W/827 HE UNV1	LI5W645933
T16 24W/830 G5 UNV1 549mm OSRAM FQ 24W/830 UNI1	LI5W453491
T16 24W/840 G5 FLH1 549mm OSRAM 4050300591643	LI5W591643
T16 24W/830 G5 FLH1 549mm OSRAM 4050300591643	LI5W591667
T16 24W/840 G5 UNV1 549mm OSRAM FQ 24W/840 UNV1	LI5W453477
T16 24W/865 G5 UNV1 549mm OSRAM FQ 24W/865 UNV1	LI5W453453
T16 24W/827 G5 FLH 549mm OSRAM FQ 24W/827 FHL1	LI5W646077
T16 24W/827 G5 UNV1 549mm OSRAM FQ 24W/827 UNV1	LI5W646091
T16 28W/827 G5 UNV1 1149mm OSRAM FH 28W/827 HE UNV1	LI5W46015
T16 28W/865 G5 FLH1 1149mm OSRAM FH 28W/865 HE FLH1	LI5W464640
T16 28W/840 G5 FLH1 1149mm OSRAM 4050300591421	LI5W464725
T16 28W/830 G5 FLH1 1149mm OSRAM FH 28W/830 HE FLH1	LI5W464787
T16 28W/827 G5 FLH1 1149mm OSRAM FH 28W/827 HE FLH1	LI5W646015
T16 28W/865 G5 UNV1 1149mm OSRAM FH 28W/865 HE UNV1	LI5W464640
T16 28W/840 G5 UNV1 1149mm OSRAM FH 28W/840 HE UNV1	LI5W64725
T16 28W/830 G5 UNV1 1149mm OSRAM FH 28W/830 HE UNV1	LI5W64787

# RECESSED LUMINAIRE

## RPML MODUL 600, 2-55W, TC-L, ECG



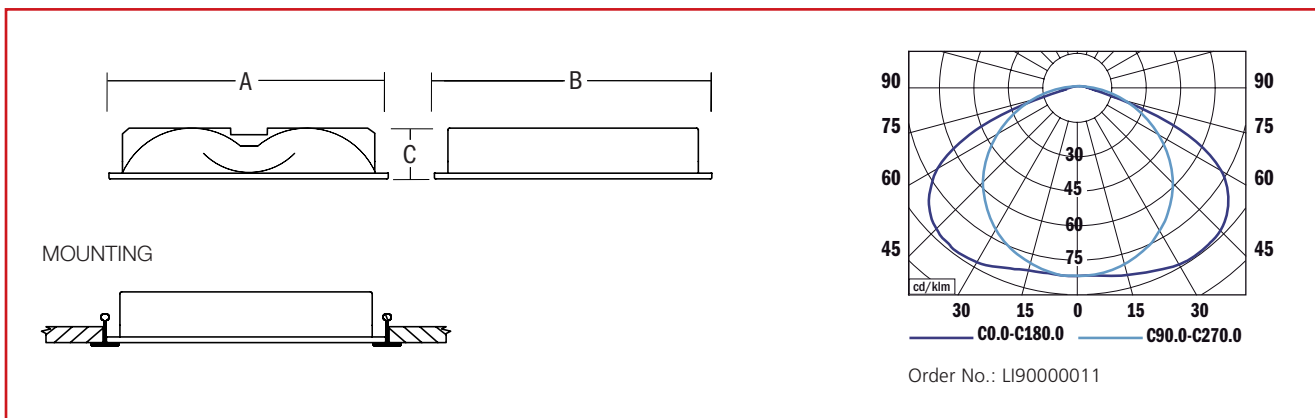
LI90000011



### SCHRACK-INFO

- Recessed luminaire with solid lamp shades, suitable for mouting into T-bar ceiling grids
- Housing: made of sheet steel of the thickness 0.6 mm, electrostatic powder coat finish – basic shade RAL 9003 (white, semi matt). Shades are made of solid sheet steel. The optical system is held by simple clamping equipment that allows easy lamp replacement.
- Electrical components:  
Electronic control gear: Helvar, class EEI = A2  
Lampholders: AAG Stucchi, Ptot = 124W
- Other components: Solid copper internal conductors, PVC insulated (heat resistant up to 90°C) with 0.5 mm<sup>2</sup> cross-section. Screwless three pole terminal allows connecting conductors up to 2.5 mm<sup>2</sup> crosssection, terminal is easy retractable, which makes electrical connection easier.

### DIMENSIONS, MOUNTING AND PHOTOMETRIE



### RPML MODUL 600, 2-55W, TC-L, ECG

DESCRIPTION	DIM. (AxBxC) mm	ORDER NO.
RPML MODUL 600, 2-55W, TC-L, ECG	595x595x100	LI90000011

### LAMPS

DESCRIPTION			ORDER NO.
TC-L 55W/827 2G11	OSRAM	DULUX L 55W/827	LI5V315881
TC-L 55W/830 2G11	OSRAM	DULUX L 55W/830	LI5V298917
TC-L 55W/840 2G11	OSRAM	DULUX L 55W/840	LI5V295879
TC-L 55W/860 2G11	OSRAM	DULUX L 55W/860	LI5V553900

## RDIL MODUL 600, 2-55W, TC-L



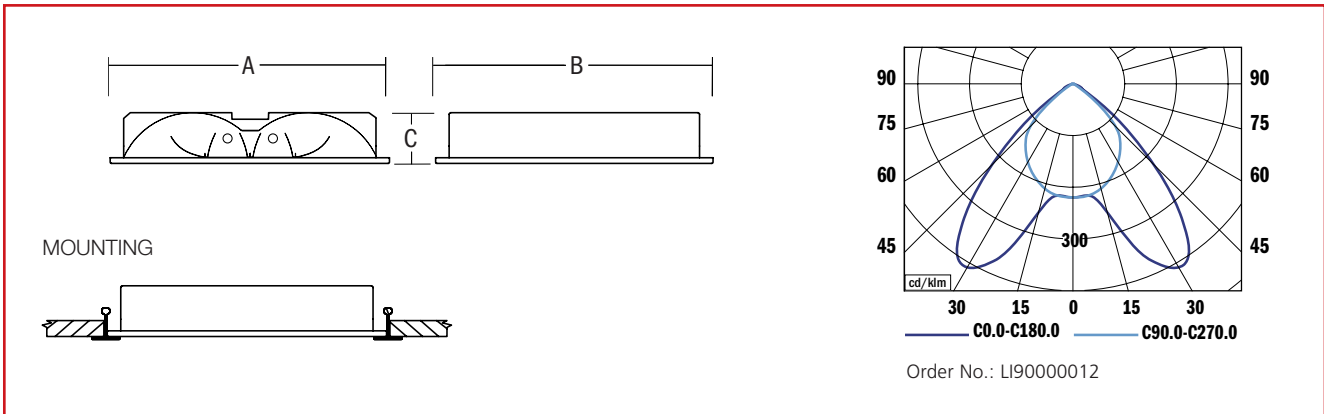
LI90000012



### SCHRACK-INFO

- Recessed luminaire with solid lamp shades, suitable for mouting into T-bar ceiling grids
- Housing: made of sheet steel of the thickness 0.6 mm, electrostatic powder coat finish – basic shade RAL 9003 (white, semi matt). Shades are made of solid sheet steel. The optical system is held by simple clamping equipment that allows easy lamp replacement.
- Louvre: Double parabolic louvre CAT2 louvre ( $L65 < 1000 \text{ cd/m}^2$ )
- Electrical components:  
Electronic control gear: Helvar, class EEI = A2  
Lampholders: AAG Stucchi
- Other components: Solid copper internal conductors, PVC insulated (heat resistant up to  $90^\circ\text{C}$ ) with  $0.5 \text{ mm}^2$  cross-section. Screwless three pole terminal allows connecting conductors up to  $2.5 \text{ mm}^2$  crosssection, terminal is easy retractable, which makes electrical connection easier.

### DIMENSIONS, MOUNTING AND PHOTOMETRIE



## RDIL MODUL 600, 2-55W, TC-L

DESCRIPTION	DIM. (AxBxC) mm	ORDER NO.
RDIL MODUL 600, 2-55W, TC-L	595x595x100	LI90000012

### LAMPS

DESCRIPTION			ORDER NO.
TC-L 55W/827 2G11	OSRAM	DULUX L 55W/827	LI5V315881
TC-L 55W/830 2G11	OSRAM	DULUX L 55W/830	LI5V298917
TC-L 55W/840 2G11	OSRAM	DULUX L 55W/840	LI5V295879
TC-L 55W/860 2G11	OSRAM	DULUX L 55W/860	LI5V553900

## SWPL LUMINAIRE, 4-18W, T8/T26, CCG



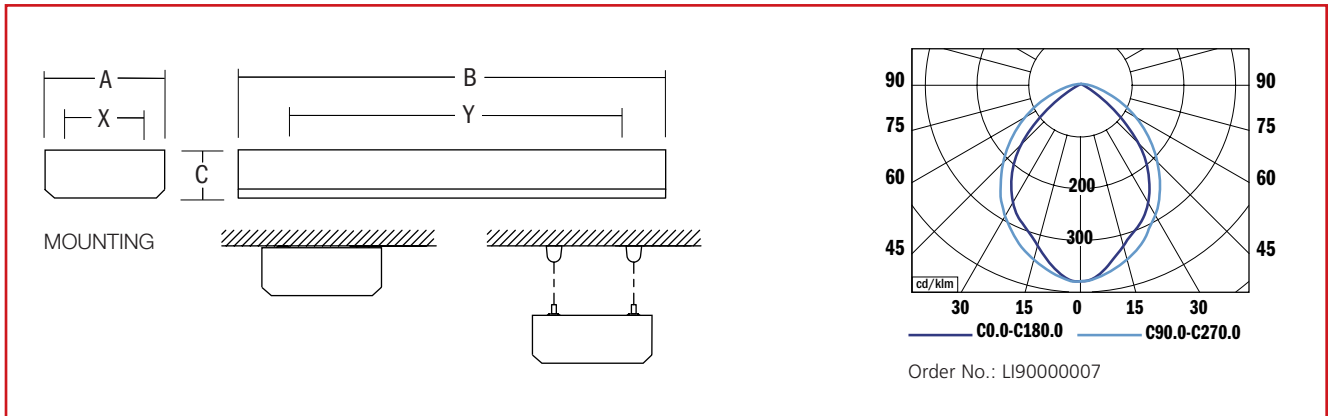
LI90000007



### SCHRACK-INFO

- Surface mounted luminaire with bevelled edges and aluminium louvre. Using suitable accessories can be used as a pendant.
- Housing: made of sheet steel of the thickness 0.6 mm, electrostatic powder coat finish – basic shade RAL 9003
- Louvre: white painted louvre
- Electrical components:  
Conventional control gear: Tridonic. ATCO, class EEI = B2  
Capacitor: Electronicon  
Lampholders: AAG Stucchi, Ptot = 84W
- Wiring: Solid copper internal conductors, PVC insulated (heat resistant up to 90°C) with 0.5 mm<sup>2</sup> cross-section, three pole terminal allows to connect conductors up to 2.5 mm<sup>2</sup> cross-section

### DIMENSIONS, MOUNTING AND PHOTOMETRIE



## SWPL LUMINAIRE, 4-18W, T8/T26, CCG

DESCRIPTION	DIM. (AxBxC) mm	ORDER NO.
SWPL LUMINAIRE, 4-18W, T8/T26, CCG	615x625x74	LI90000007

### LAMPS

DESCRIPTION				ORDER NO.
T26 18W/865 G13	590 mm	OSRAM	L 18W/865 FLH1	LI5W517773
T26 18W/840 G13	590 mm	OSRAM	L 18W/840 FLH1	LI5W517797
T26 18W/830 G13	590 mm	OSRAM	L 18W/830 FLH1	LI5W517810
T26 18W/827 G13	590 mm	OSRAM	L 18W/827 FLH1	LI5W517834
T26 18W/640 G13	590 mm	OSRAM	L18W/640 G13	LI5W001647

## SHGL LUMINAIRE, 2-36W/2-58W/4-18W, T8/T26, ECG



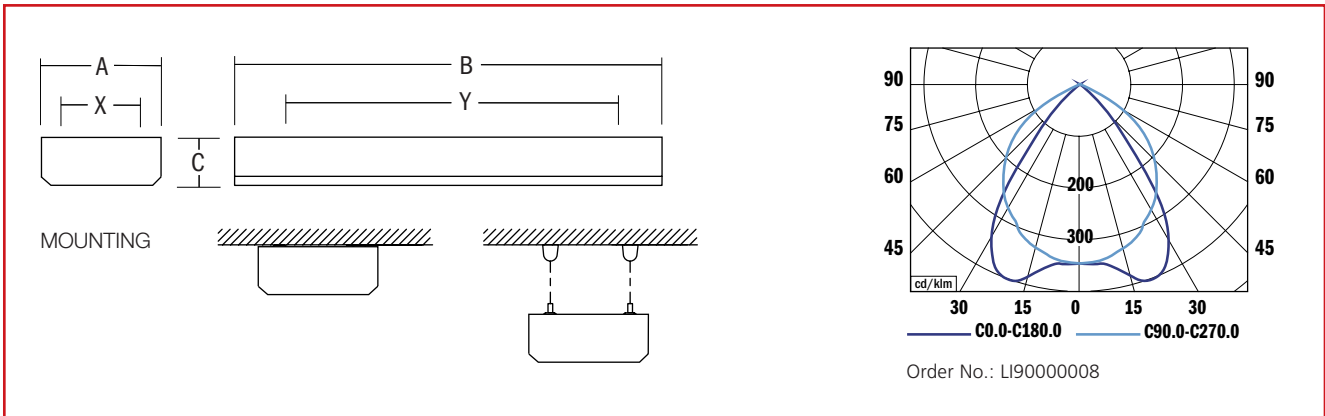
LI90000008



### SCHRACK-INFO

- Surface mounted luminaire with bevelled edges and parabolic aluminium louvre. Using suitable accessories can be used as a pendant.
- Housing: made of sheet steel of the thickness 0.6 mm, electrostatic powder coat finish – basic shade RAL 9003
- Louvre: Double parabolic louvre CAT2 louvre ( $L65 < 1000 \text{ cd/m}^2$ )
- Electrical components:  
Electronic control gear: Helvar, class EEI = A2  
Lampholders: AAG Stucchi, Ptot = 84W
- Wiring: Solid copper internal conductors, PVC insulated (heat resistant up to  $90^\circ\text{C}$ ) with  $0.5 \text{ mm}^2$  cross-section, three pole terminal allows to connect conductors up to  $2.5 \text{ mm}^2$  cross-section

### DIMENSIONS, MOUNTING AND PHOTOMETRIE



## SHGL LUMINAIRE, 2-36W/2-58W/4-18W, T8/T26, ECG

DESCRIPTION	DIM. (AxBxC) mm	ORDER NO.
SHGL LUMINAIRE, 2-36W, T8/T26, ECG	291x1236x90	LI90000008
SHGL LUMINAIRE, 2-58W, T8/T26, ECG	291x1536x90	LI90000009
SHGL LUMINAIRE, 4-18W, T8/T26, ECG	615x625x90	LI90000010

### LAMPS

DESCRIPTION	ORDER NO.
T26 18W/865 G13	590 mm OSRAM L 18W/865 FLH1 LI5W517773
T26 18W/840 G13	590 mm OSRAM L 18W/840 FLH1 LI5W517797
T26 18W/830 G13	590 mm OSRAM L 18W/830 FLH1 LI5W517810
T26 18W/827 G13	590 mm OSRAM L 18W/827 FLH1 LI5W517834
T26 18W/640 G13	590 mm OSRAM L18W/640 G13 LI5W001647
T26 36W/865 G13	1200 mm OSRAM L 36W/865 FLH1 LI5W517858
T26 36W/840 G13	1200 mm OSRAM L 36W/840 FLH1 LI5W517872
T26 36W/830 G13	1200 mm OSRAM L 36W/830 FLH1 LI5W517896
T26 36W/827 G13	1200 mm OSRAM L 36W/827 FLH1 LI5W517919
T26 36W/640 G13	1200 mm OSRAM L36W/640 G13 LI5W001708
T26 58W/865 G13	1500 mm OSRAM L 58W/865 FLH1 LI5W517933
T26 58W/840 G13	1500 mm OSRAM L 58W/840 FLH1 LI5W517957
T26 58W/830 G13	1500 mm OSRAM L 58W/830 FLH1 LI5W517971
T26 58W/640 G13	1500 mm OSRAM L58W/640 G13 LI5W001784

## MIRROR LUMINAIRE, 1-18W, T8/T26, ECG, IP40



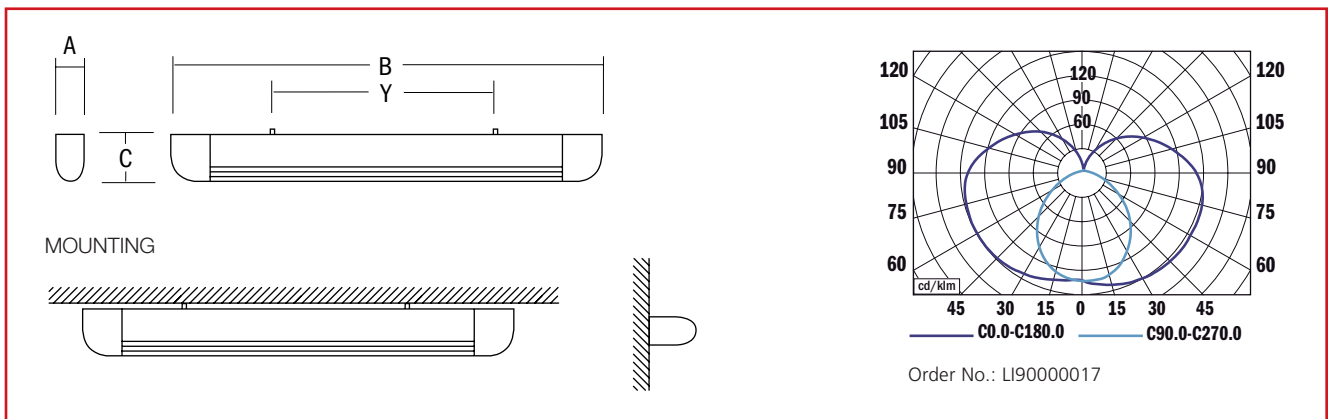
L19000017

### SCHRACK-INFO

- Surface mounted luminaire with linear fluorescent lamp
- Housing: is made of aluminium extrusion, of the thicknes 1 mm and painted in white. Diffuser is made of polycarbonate in prismatic finish. Endcaps are made of ABS.
- Electrical components: Electronic control gear



### DIMENSIONS, MOUNTING AND PHOTOMETRIE



### MIRROR LUMINAIRE, 1-18W, T8/T26, ECG, IP40

DESCRIPTION	DIM. (AxBxC) mm	ORDER NO.
MIRROR LUMINAIRE, 1-18W, T8/T26, ECG, IP40	36x648x63	L19000017

### LAMPS

DESCRIPTION	ORDER NO.
T26 18W/865 G13      590 mm    OSRAM    L 18W/865 FLH1	L15W517773
T26 18W/840 G13      590 mm    OSRAM    L 18W/840 FLH1	L15W517797
T26 18W/830 G13      590 mm    OSRAM    L 18W/830 FLH1	L15W517810
T26 18W/827 G13      590 mm    OSRAM    L 18W/827 FLH1	L15W517834
T26 18W/640 G13      590 mm    OSRAM    L18W/640 G13	L15W001647

## WEATHERPROOF IP 65 LUMINAIRE, 2x36W/2x58W, ECG/CCG



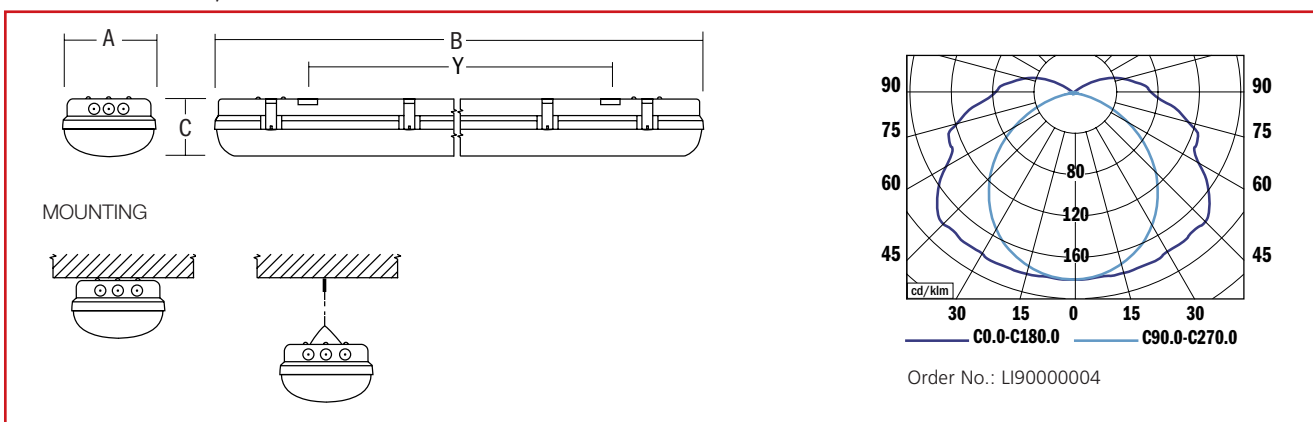
LI90000004



### SCHRACK-INFO

- Weatherproof IP 65 luminaire, made of UV stabilized polycarbonate
- Housing: made of grey injected polycarbonate.  
Diffuser made of transparent injected polycarbonate.
- Electrical components:  
Conventional control gear: Tridonic. ATCO, class EEI=B2  
Electronic control gear: Helvar, class EEI = A2  
Lampholders: AAG Stucchi, Ptot = 76W (for 2x36W version)
- Wiring: Solid copper internal conductors, PVC insulated (heat resistant up to 90°C) with 0.5 mm<sup>2</sup> cross-section, three pole terminal allows to connect conductors up to 2.5 mm<sup>2</sup> cross-section

### DIMENSIONS, MOUNTING AND PHOTOMETRIE



### WEATHERPROOF IP 65 LUMINAIRE

DESCRIPTION	DIM. (AxBxC) mm	ORDER NO.
WEATHERPROOF IP 65 LUMINAIRE, 2x36W, CCG	136x1270x101	LI90000004
WEATHERPROOF IP 65 LUMINAIRE, 2x36W, ECG	136x1270x101	LI90000005
WEATHERPROOF IP 65 LUMINAIRE, 2x58W, ECG	136x1570x101	LI90000006

### LAMPS

DESCRIPTION	ORDER NO.
T26 36W/865 G13      1200 mm    OSRAM      L 36W/865 FLH1	LI5W517858
T26 36W/840 G13      1200 mm    OSRAM      L 36W/840 FLH1	LI5W517872
T26 36W/830 G13      1200 mm    OSRAM      L 36W/830 FLH1	LI5W517896
T26 36W/827 G13      1200 mm    OSRAM      L 36W/827 FLH1	LI5W517919
T26 36W/640 G13      1200 mm    OSRAM      L36W/640 G13	LI5W001708
T26 58W/865 G13      1500 mm    OSRAM      L 58W/865 FLH1	LI5W517933
T26 58W/840 G13      1500 mm    OSRAM      L 58W/840 FLH1	LI5W517957
T26 58W/830 G13      1500 mm    OSRAM      L 58W/830 FLH1	LI5W517971
T26 58W/640 G13      1500 mm    OSRAM      L58W/640 G13	LI5W001784

## DOWNLIGHT LUMINAIRE, AGL, 75W, E27



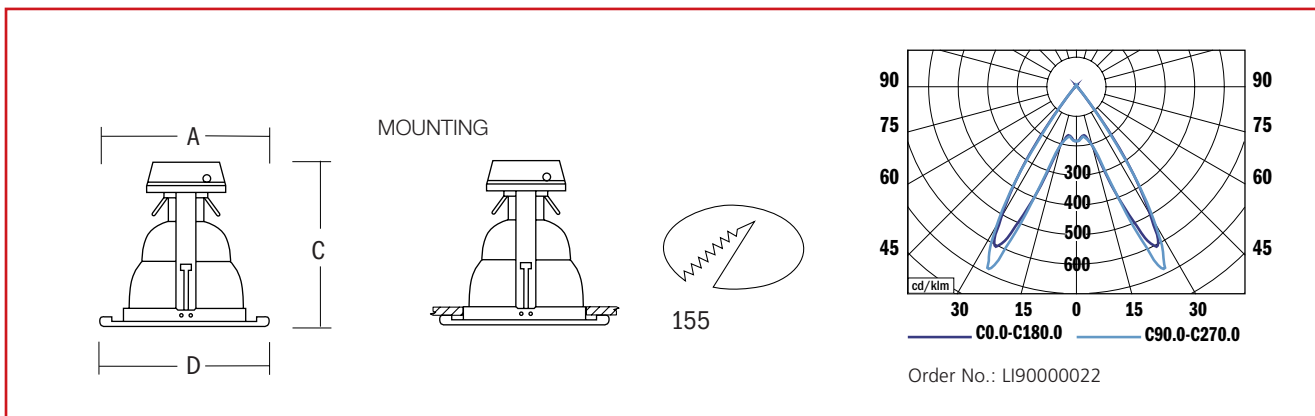
LI90000022



### SCHRACK-INFO

- Housing: made of zinc-coated sheet steel. Ring is made of sheet steel, surface finished with white powder coating – komaxit RAL 9003. The springs are made of a hardened zinc-coated steel wire.
- Optic: A reflector of high-polished aluminium – faceted design

### DIMENSIONS, MOUNTING AND PHOTOMETRIE



## DOWNLIGHT LUMINAIRE, AGL, 75W, E27

DESCRIPTION	DIM. (AxBxC) mm	ORDER NO.
DOWNLIGHT LUMINAIRE, AGL, 75W, E27	175x175x210	LI90000022

### LAMPS

DESCRIPTION	ORDER NO.
RALUX RX-EE 10W/827 E27 RADIUM RX-EE10W827E27	LI5V10827E
RALUX RX-EE 10W/860 E27 RADIUM RX-EE10W860E27	LI5V10860E
RALUX RX-EE 17W/827 E27 RADIUM RX-EE17W827E27	LI5V17827E
RALUX RX-EE 17W/860 E27 RADIUM RX-EE17W860E27	LI5V17860E
RALUX RX-EE 21W/827 E27 RADIUM RX-EE21W827E27	LI5V21827E
RALUX RX-EE 21W/860 E27 RADIUM RX-EE21W860E27	LI5V21860E
RALUX RX-EE 24W/827 E27 RADIUM RX-EE24W827E27	LI5V24827E
RALUX RX-EE 24W/860 E27 RADIUM RX-EE24W860E27	LI5V24860E
DEL LL FCY 14W/827 E27 FS1 RADIUM 4050300631905	LI5W631905
DEL LL FCY 18W/827 E27 FS1 RADIUM 4008321118356	LI5W118356
DEL LL FCY 10W/827 E27 FS1 RADIUM 4008321126290	LI5W126290
HALOLUX 64542 A ES 28W E27 OSRAM 4008321211828	LI5W211828
HALOLUX 64542 A FR 28W E27 OSRAM 4008321917287	LI5W917287
HALOLUX 64543 A ES 42W E27 OSRAM 4008321212078	LI5W212078
HALOLUX 64543 A FR 42W E27 OSRAM 4008321917300	LI5W917300
HALOLUX 64544 A ES 52W E27 OSRAM	LI5W927187
HALOLUX 64544 A FR 52W E27 OSRAM	LI5W927248
HALOLUX 64547 A ES 70W E27 OSRAM	LI5W927200
HALOLUX 64547 A FR 70W E27 OSRAM	LI5W927262

## FLUTING LUMINAIRE, 250W/400W, HSE/HIE, E40, IP65



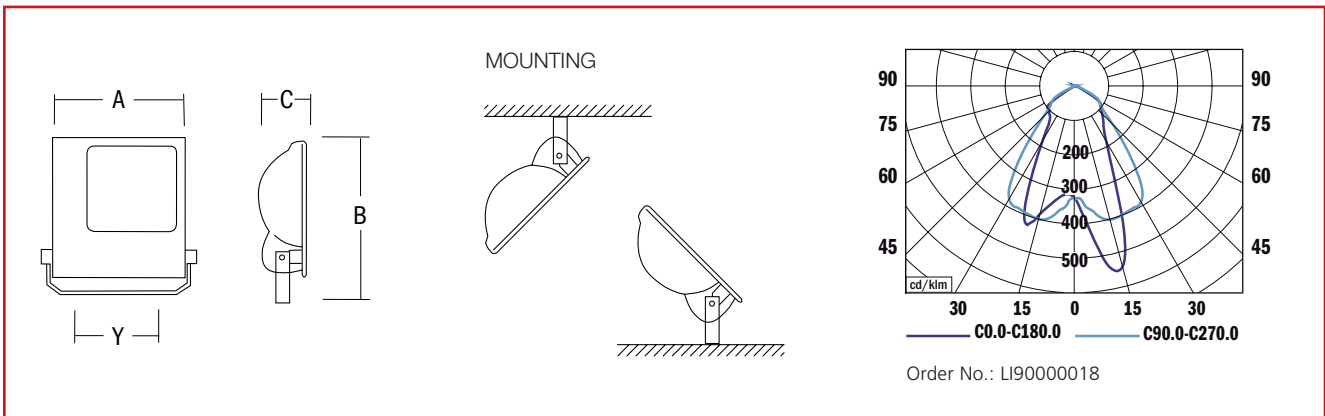
LI90000018



### SCHRACK-INFO

- Housing: Projector 1175, 1176 – housing made of aluminium. Polyurethane gasket provides an IP 65 ingress protection.
- Optic: High quality anodized aluminium reflector
- Wiring:
  - Ballasts: Vossloh Schwabe, Helvar
  - Cable: Vercavi
  - Capacitor: Electronicon
  - Ignitor: Vossloh Schwabe

## DIMENSIONS, MOUNTING AND PHOTOMETRIE



## FLUTING LUMINAIRE, 250W/400W, HSE/HIE, E40, IP65

DESCRIPTION	DIM. (AxBxC) mm	ORDER NO.
FLUTING LUMINAIRE, 250W, HSE/HIE, E40, IP65	450x448x155	LI90000018
FLUTING LUMINAIRE, 400W, HSE/HIE, E40, IP65	450x448x155	LI90000019

## LAMPS

DESCRIPTION			ORDER NO.
HIE 250W/M/925 E40 OS	OSRAM	HQI-E 250W/D COTED	LI5X015248
HIE 400W/M/783 E40 OS	OSRAM	HQI-E 400W/N E40	LI5X305431

## POLE TOP LUMINAIRE, 70W, HIE/HSE, E27



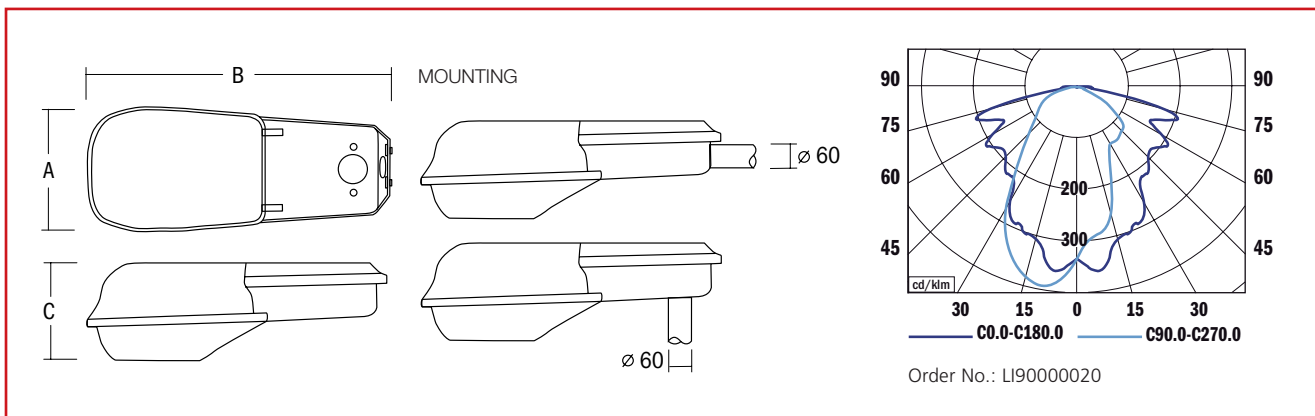
LI90000020



### SCHRACK-INFO

- Discharge lamp luminaire for fixing to boom or to a mast
- Housing: made of fully UV stabilized polycarbonate. Reflector is made of anodised finished aluminium. The reflector is enclosed with clear bowl, made of fully UV stabilized polycarbonate. IP65 for optic part, IP44 for electrical part.
- Electrical components:  
Ballasts: Vossloh Schwabe, Helvar  
Cable: Vercavi  
Capacitor: Electronicon  
Ignitor: Vossloh Schwabe

### DIMENSIONS, MOUNTING AND PHOTOMETRIE



### POLE TOP LUMINAIRE, 70W, HIE/HSE, E27

DESCRIPTION	DIM. (AxBxC) mm	ORDER NO.
POLE TOP LUMINAIRE, 70W, HIE, E27	260x500x200	LI90000020
POLE TOP LUMINAIRE, 70W, HSE, E27	260x500x200	LI90000021

### LAMPS

DESCRIPTION	OSRAM	OSRAM	OSRAM	ORDER NO.
HIE-CE 70W/830 E27 clear	OSRAM	HCI-E/P 70/830 clear		LI5X780856
HIE-CE 70W/942 E27 clear	OSRAM	HCI-E/P 70/942 clear		LI5X780894
HSE 70W E27	OSRAM	NAV-E 70W/EE27		LI5X015767
HSE 70W E27 4Y OS	OSRAM	NAV-E 70W/E 4Y E27		LI5X577692

## WELCOME TO SCHRACK TECHNIK

Products with high quality, technical know-how and the personal requirements of our customers are the focus of our attending. From mains connection systems down to the safe monitoring of individual electrical loads, Schrack devices provide fault-free operation with the highest possible protection for persons and equipment.

## PROJECT DEVELOPMENT – A COMPLETE SOLUTION

**SCHRACK TECHNIK** is a leader in the area of energy and data technology. We offer optimised, coordinated systems and solutions for private, commercial and industrial applications.

Thanks to many years of experience and involvement in standardisation and a wide range of committees, we are in the position to keep you informed about the latest technological developments and how to achieve the best possible return on your investment in building technology.

Our specialized technicians can help you in many areas, such as choosing the right technology, planning and project realisation.



### ENERGY TECHNOLOGY

ENCLOSURES AND CABINETS FOR ENERGY DISTRIBUTION, MODULAR PROTECTION DEVICES  
MODULAR CONTROLLERS, SWITCHES, OVERVOLTAGE PROTECTION  
FUSES, CONNECTION & CABLING TECHNOLOGY



### INDUSTRY & PANEL BUILDING

RELAYS, TRANSFORMERS, METERS AND MEASURING EQUIPMENT  
CIRCUIT BREAKERS AND SWITCH DISCONNECTORS, CONTACTORS AND MOTOR CONTACTORS  
MAIN SWITCHES, CONTROL UNITS



### BUILDING INSTALLATION TECHNOLOGY

SWITCHES AND SOCKETS, INSTALLATION MATERIALS  
BUILDING SYSTEMS TECHNOLOGY  
AND ACCESS CONTROL SYSTEMS



### EMERGENCY LIGHTING & SYSTEMS

EMERGENCY LIGHTING  
UPS SYSTEMS  
COMPENSATION AND CO-DETECTION SYSTEMS



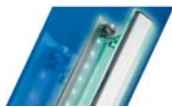
### NETWORK TECHNOLOGY

COPPER AND FIBRE-OPTIC CABLING  
ACTIVE COMPONENTS, NETWORK CABINETS  
CABLING FOR DATA CENTRES



### CABLES AND CONNECTIONS

PVC-, SINGLE-CORE, SHEATHED-, HOSE CABLES  
PVC CONTROL LINES, REMOTE- AND FIRE ALARM CABLES  
HIGH-CURRENT CABLES, COAXIAL CABLES, INDUSTRIAL CABLES, ELECTRONIC CABLES



### LIGHT TECHNOLOGY

INDOOR AND OUTDOOR LIGHTING  
TECHNICAL LIGHTING, DECORATIVE LIGHTING  
SPECIAL LIGHTING, BULBS

## GENERAL INFORMATION

- All **dimensioned drawings** are displayed within the confines of available space on the page and are only intended as a guide.
- All **circuit diagrams** are schematic wiring diagrams which are intended to allow better understanding of the function, and will need to be edited/added to during the course of project planning.
- All **images** represent samples of the product and are intended for information purposes only.

Unless otherwise stipulated, the current version of the General Terms of Delivery issued by The Association of the Austrian Electrical and Electronics Industries "FEEL" shall apply. No liability for errors in text, type or images; we reserve the right to make changes to technical specifications of the product range. The user information contained in this catalog reflect the opinion of the company at the time of writing. The information contained in it was assembled on the basis of published norms, specialist industry presentations, specialist literature and in-house expertise. The content is for informational purposes only and has no validity in law.

## THE COMPANY

### HEADQUARTERS

SCHRACK TECHNIK GMBH  
Seybelgasse 13, A-1230 Vienna  
PHONE +43(0)1/866 85-5900  
FAX +43(0)1/866 85-98804  
E-MAIL [export@schrack.com](mailto:export@schrack.com)

### SCHRACK COMPANIES



#### BELGIUM

SCHRACK TECHNIK B.V.B.A  
Twaalfapostelenstraat 14  
BE-9051 St-Denijs-Westrem  
PHONE +32 9/384 79 92  
FAX +32 9/384 87 69  
E-MAIL [info@schrack.be](mailto:info@schrack.be)



#### BOSNIEN-HERZEGOWINA

SCHRACK TECHNIK BH D.O.O.  
Put za aluminijски kombinat bb  
BH-88000 Mostar  
PHONE +387/36 333 666  
FAX +387/36 333 667  
E-MAIL [mostar@schrack.ba](mailto:mostar@schrack.ba)



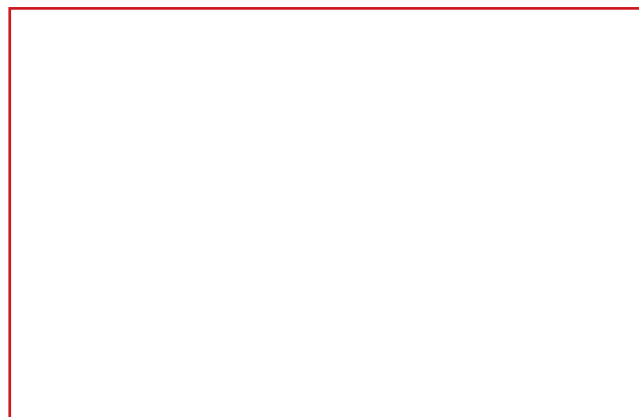
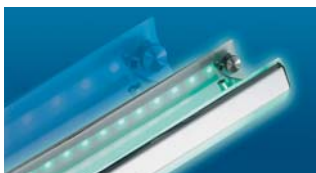
#### BULGARIA

SCHRACK TECHNIK EOOD  
Prof. Tsvetan Lazarov 162  
Druzha - 2  
BG-1000 Sofia  
PHONE +359/(2) 890 790  
E-MAIL [sofia@schrack.bg](mailto:sofia@schrack.bg)



#### CROATIA

SCHRACK TECHNIK D.O.O.  
Zavrtnica 17  
HR-10000 Zagreb  
PHONE +385 1/605 55 00  
FAX +385 1/605 55 66  
E-MAIL [schrack@schrack.hr](mailto:schrack@schrack.hr)



#### POLAND

SCHRACK TECHNIK POLSKA SP.Z.O.O.  
ul. Staniewicka 5  
PL-03-310 Warszawa  
PHONE +48 22/331 48 31  
FAX +48 22/331 48 33  
E-MAIL [se@schrack.pl](mailto:se@schrack.pl)

#### ROMANIA

SCHRACK TECHNIK SRL  
Str. Simion Barnutiu nr. 15  
RO-410204 Oradea  
PHONE +40 259/435 887  
FAX +40 259/412 892  
E-MAIL [schrack@schrack.ro](mailto:schrack@schrack.ro)

#### SERBIA

SCHRACK TECHNIK D.O.O.  
Kumodraska 260  
RS-11000 Beograd  
PHONE +38 1/11 309 2600  
FAX +38 1/11 309 2620  
E-MAIL [office@schrack.co.yu](mailto:office@schrack.co.yu)

#### SLOVAKIA

SCHRACK TECHNIK SPOL. SR.O.  
Langsfeldova 2  
SK-03601 Martin  
PHONE +42 1/43 422 16 41  
FAX +42 1/43 423 95 56  
E-MAIL [martin@schrack.sk](mailto:martin@schrack.sk)

#### SLOVENIA

SCHRACK TECHNIK D.O.O.  
Pameče 175  
SLO-2380 Slovenj Gradec  
PHONE +38 6/2 883 92 00  
FAX +38 6/2 884 34 71  
E-MAIL [schrack.sg@schrack.si](mailto:schrack.sg@schrack.si)

#### CZECH REPUBLIC

SCHRACK TECHNIK SPOL. SR.O.  
Dolnomecholupska 2  
CZ-10200 Praha 10 – Hostivar  
PHONE +42(0)2/810 08 264  
FAX +42(0)2/810 08 462  
E-MAIL [praha@schrack.cz](mailto:praha@schrack.cz)

#### HUNGARY

SCHRACK TECHNIK KFT.  
Vidor u. 5  
H-1172 Budapest  
PHONE +36 1/253 14 01  
FAX +36 1/253 14 91  
E-MAIL [schrack@schrack.hu](mailto:schrack@schrack.hu)